

ACS PART NUMBER	G PILOT # REF	B REF DORSE # REF	F REF HOLE # REF	E # HOLES REF	NOTES	H DISK
783200	2.000/2.003	3.500	.406	6		10150002004635
78310X	1.002/1.004	—	—	—		10150001000000
783369	3.687/3.690	4.630	.406	6		10150003694646
78325A	2.562/2.565	3.500	.406	6		101500025A4635

SEE PILOT LISTING P/N 999999 FOR ADDITIONAL PILOTS

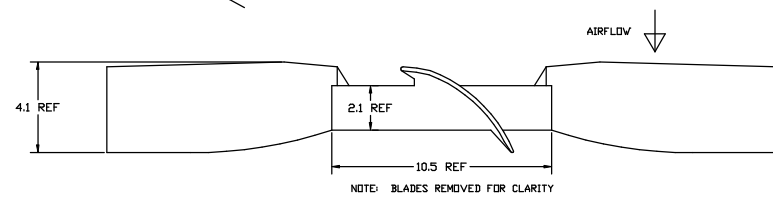
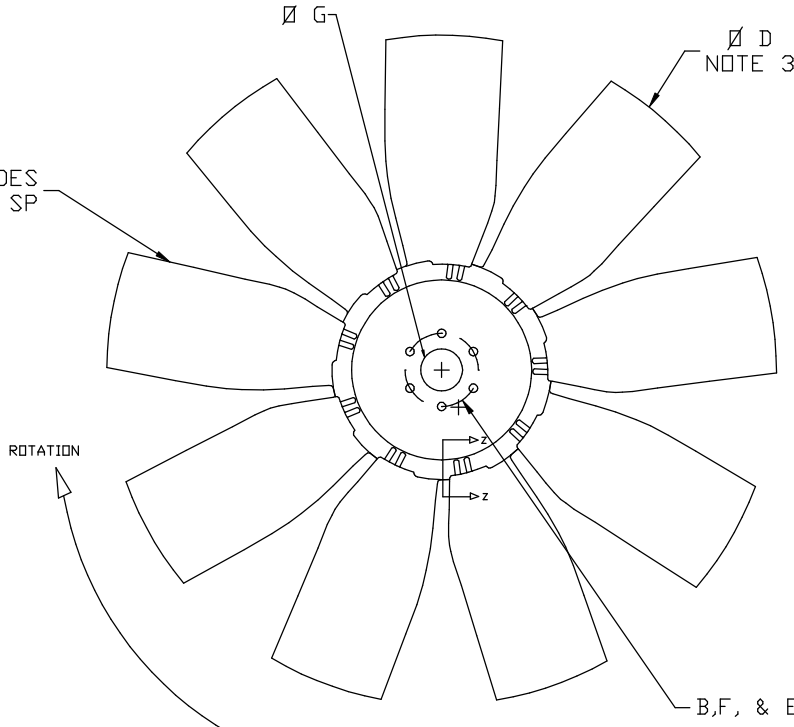
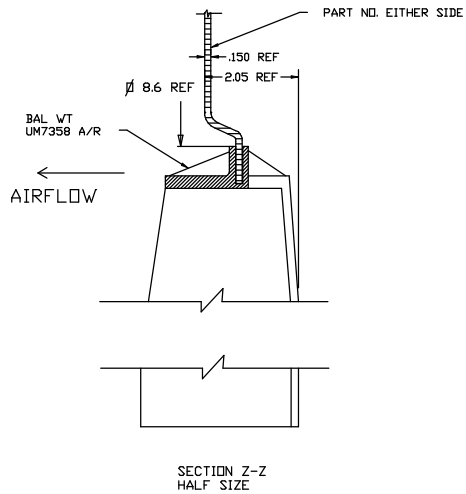
NOTES:

1. MATERIAL: B3WG6 DR PA6GF30 NYLON 6 GLASS FILLED 30%
2. BALANCE TO .4 OZ/IN. BALANCE TO BE ACHIEVED BY MATERIAL REMOVAL AT BLADE TIP UP TO .3 INCHES ON 4 BLADES OR BY ADDITION OF BALANCE WEIGHTS ON HUB RIBS.
3. A DASH NUMBER WILL BE INCLUDED DESIGNATING FAN DIAMETER (ØD). EX: 782500-32 (INCHES) OR 782500-813 (MM). THE MAX REFERENCE FAN DIA IS 32 INCHES. THE DIA TOLERANCE ON MOLDED FAN DIAMETERS IS +.150/- .236. THE DIA TOLERANCE ON CUT DIAMETERS IS +0/- .236.
4. P/F AT THE TIP OF THE BLADE, DEFINED AS THE MAXIMUM MEASUREMENT FRONT TO BACK.

9 BLADES
EQ SP

ROTATION

Ø D
NOTE 3



A 0045 RELEASED GFS 240CT05
SYM EGN REVISION DATE



PART NAME	
FAN ASSEMBLY - 783	
DRAWN GFS	APPROVED
DATE 9SEPT05	SCALE 1/4
MATERIAL NOTED	ENGRG J. JAHNS
SHRINK .05 IN/IN	QC
FINISH NOTED	WFO
CUSTOMER	
CUSTOMER PART NO.	
TOL. UNLESS SPECIFIED 20K +/- .005 3K +/- .005 2K +/- .007 1K +/- .01	
ACS PART NO. 783XXX	